



EuroTuning, s.r.o.
 Rokytnice 387
 755 01 VSETÍN
 Czech Republic

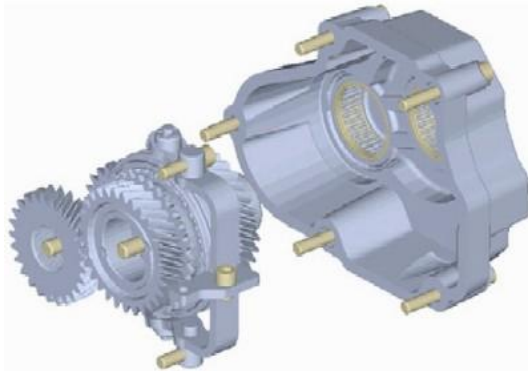
Office in Prague:
 K Červenému dvoru 24
 130 00 PRAHA 3

E-mail: info@eurotuning.cz
 Http: www.eurotuning.cz



Conversion Kit from 5-gear to 6-gear

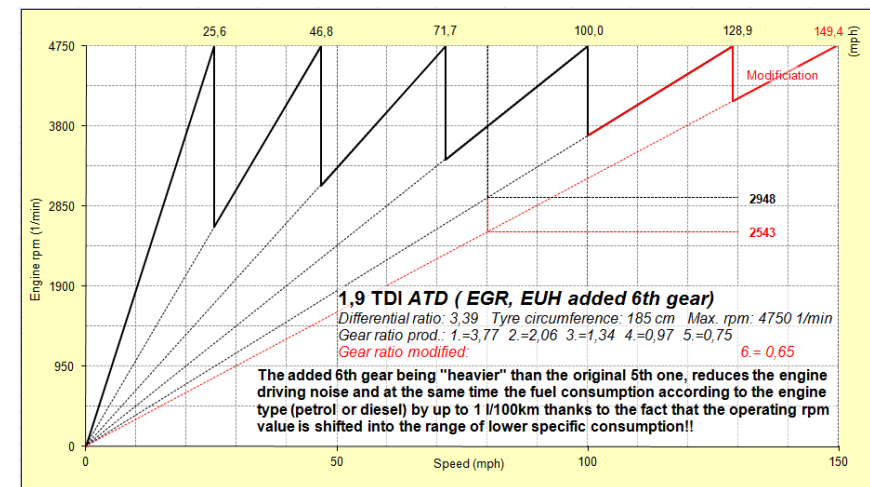
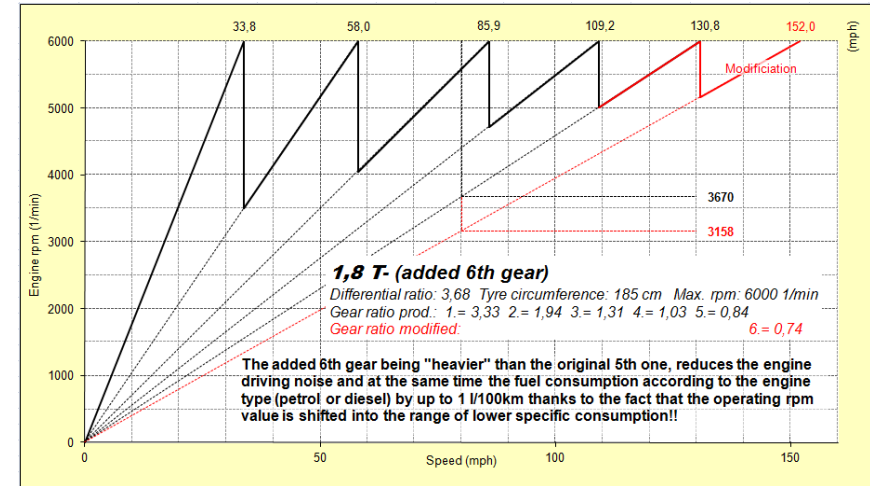
A special set of parts makes it possible to add the 6th gear to the classical 5-gear transmission of the type 02A, 02B, 02D or 02J. The additional assembly of the 6th gear is possible thanks to the original design of the extension shafts, of the toothed wheels of the 5th and 6th gear and the new gearbox cover. The modified 6-gear transmission with the new cover is longer than the 5-gear transmission from the series production just by 45 mm. The system and the way of gear shifting remains the same.



The assembly does not require any modifications of the gearbox housing, the added toothed wheels are synchronized, the new tooth system is ground and it works absolutely without noise.

The gearbox modification from 5-gear to 6-gear version brings considerable fuel savings!! The consumption is reduced by up to 0,25gal./62mi on motorways. This means a saving of up to 1\$/62mi with the average fuel price of approx. 4\$ per gallon and the modification costs invested pay off after driving approx. 80.000 miles.

Price: 1300 \$



... it was never so simple to modify the gearbox as now ...